

Owner's Manual & Assembly Instructions

Wall Shelf

Model No. SS900-B

697.68204-B

1 Place two **rear posts** on a flat surface parallel to each other. Position **shelves** at desired locations and fasten with bolts and nuts.

2 Place **front posts** opposite the rear posts and secure to shelves using bolts and nuts.

3 Fasten **braces** to the inside of rear posts and outside of front posts with bolts and nuts.



65103
#8-32 Hex Nut (26)



66013
#8-32x1/4" (6 mm)
Bolt (26)

Keep this Owner's Manual for future reference.

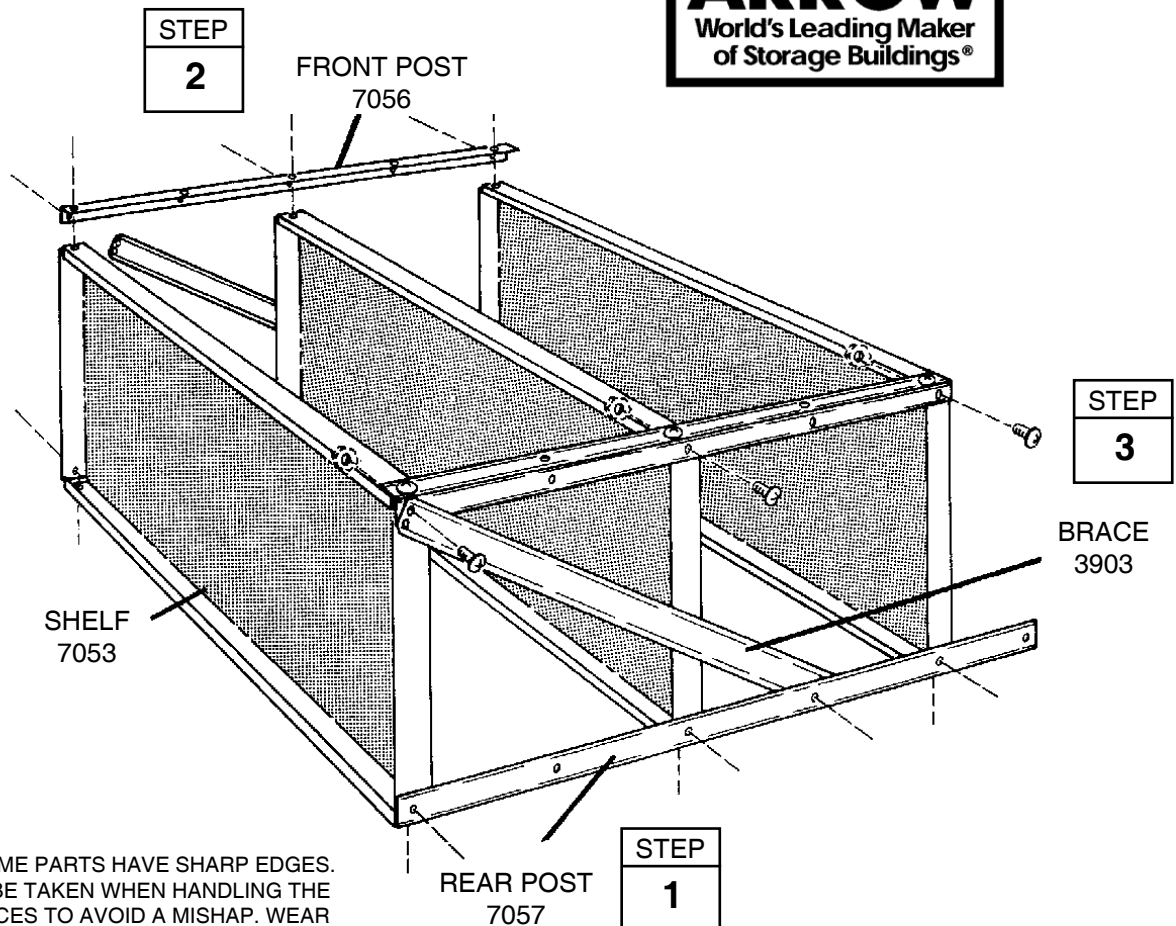
- Wash off inked part numbers on coated shelves with soap and water.
- If you find a part is missing, include the model no. of your shelf and contact:

Arrow Shed, LLC Customer Service Dept.
1101 North 4th Breese, Illinois 62230

1-800-851-1085 or assist@arrowsheds.com

NOTE

First *remove* and *reinsert* bolt and nut fastening bottom shelf to side leg of front post. Fasten opposite end of brace to rear post.



CAUTION: SOME PARTS HAVE SHARP EDGES. CARE MUST BE TAKEN WHEN HANDLING THE VARIOUS PIECES TO AVOID A MISHAP. WEAR GLOVES WHEN HANDLING METAL PARTS.

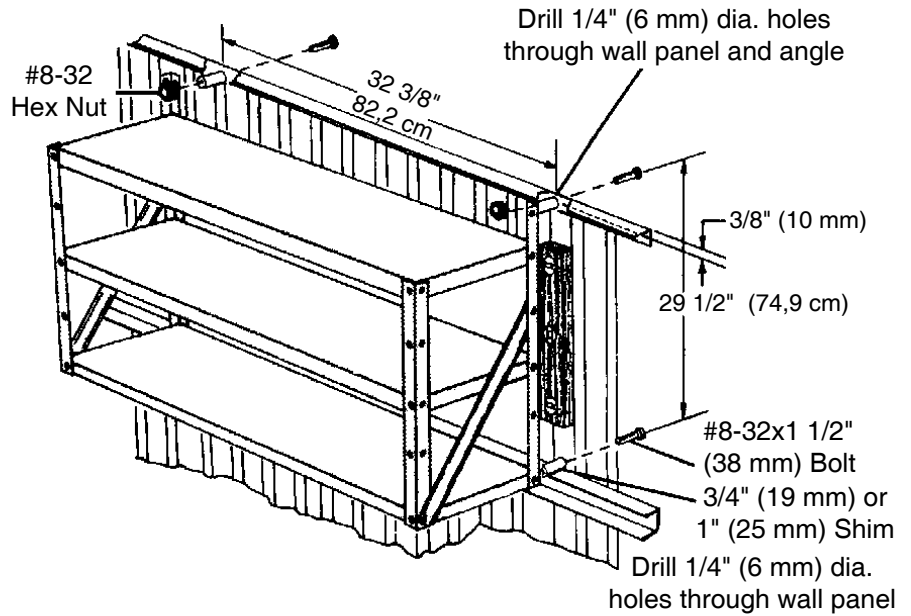
Mounting Instructions

ASSEMBLY PROCEDURE WHEN MOUNTING TO VERTICAL SIDED BUILDINGS WITH 60" (152,4 cm) WALL HEIGHT

1 Locate shelf unit on desired wall. Drill two 1/4" (6 mm) dia. holes through upper wall angle and wall panel 32 3/8" (82,2 cm) apart, 3/8" (10 mm) below top flange of angle.

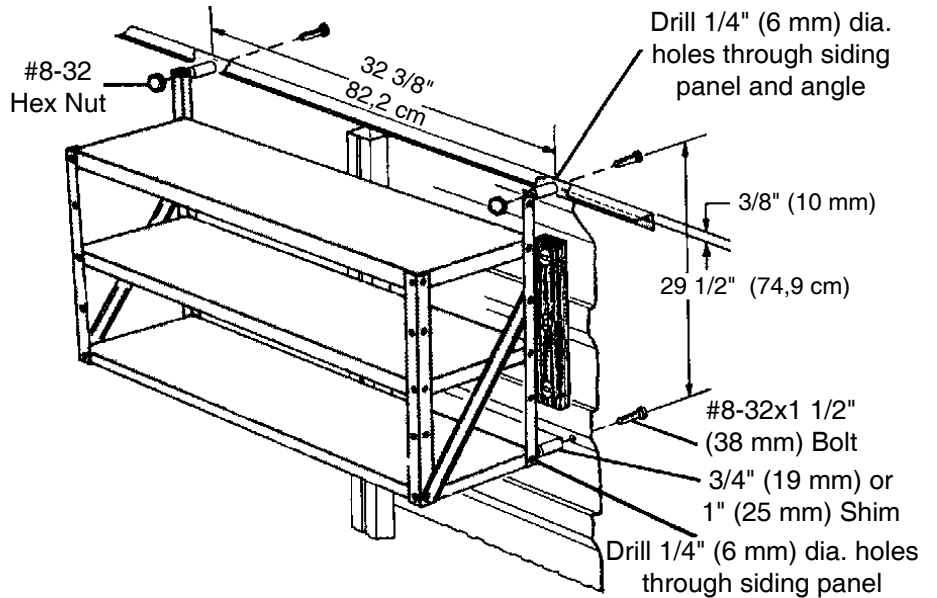
2 Using a square or level measure down 29 1/2" (74,9 cm) from each hole. Check bottom holes to make sure they are 32 3/8" (82,2 cm) apart. Drill two 1/4" (6 mm) dia. holes at these locations.

3 Temporarily remove the two bolts and nuts from the back of the bottom shelf. Position shelf aligning holes in rear posts with holes drilled in panel and fasten with four #8-32x 1 1/2" (38 mm) bolts and nuts and either 3/4" (19 mm) or 1" (25 mm) shims. Hardware for mounting shelf unit is not supplied. Consult your local hardware store for these parts.



ASSEMBLY PROCEDURE WHEN MOUNTING TO HORIZONTAL SIDED BUILDINGS OVER VERTICAL WALL STUDS

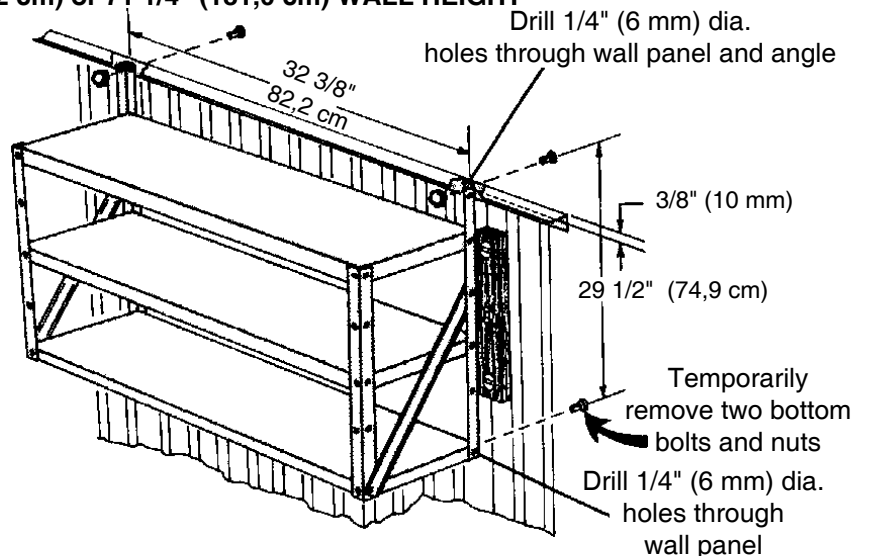
1 Follow directions for Steps 1, 2 and 3 above.



ASSEMBLY PROCEDURE WHEN MOUNTING TO VERTICAL SIDED BUILDINGS WITH 62" (157,5 cm), 67" (170,2 cm) or 71 1/4" (181,0 cm) WALL HEIGHT*

1 Follow directions for Steps 1 and 2 above.

2 Temporarily remove the two bolts and nuts from the back of the bottom shelf. Position shelf aligning holes in rear posts with holes drilled in panel and fasten with four #8-32x1/4" (6 mm) bolts provided, as shown.



* Shelf may be attached to horizontal sided buildings if located between wall studs using this procedure.